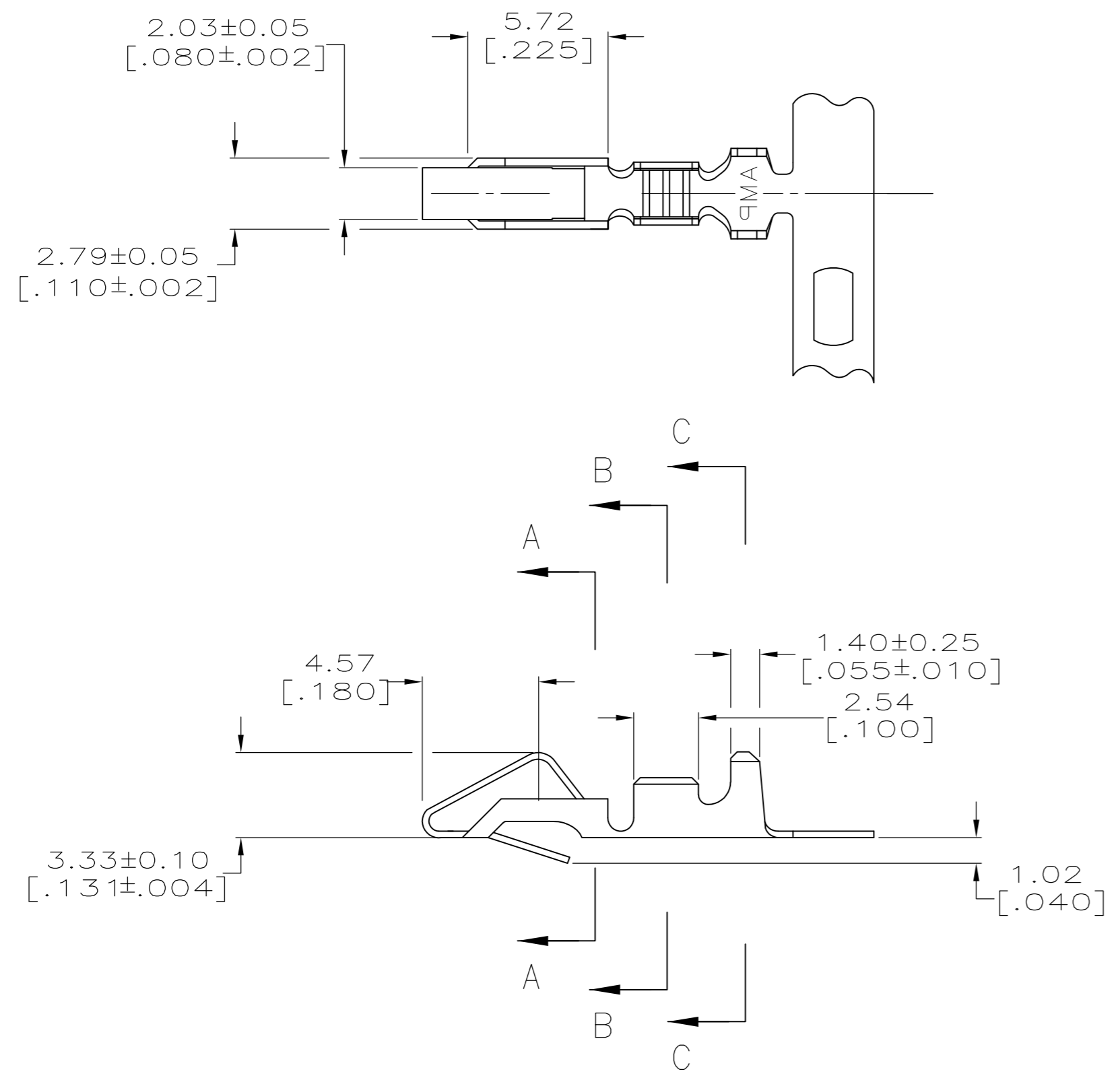
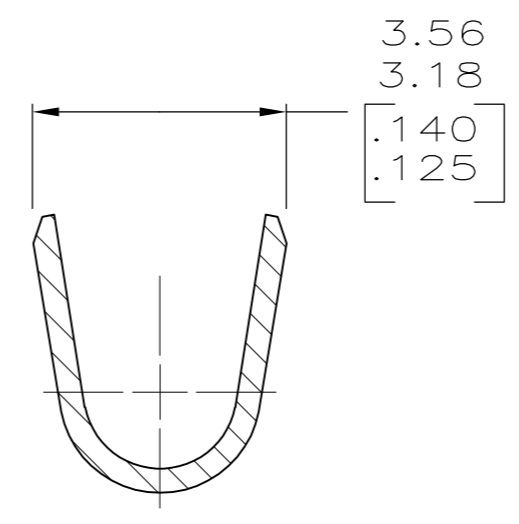
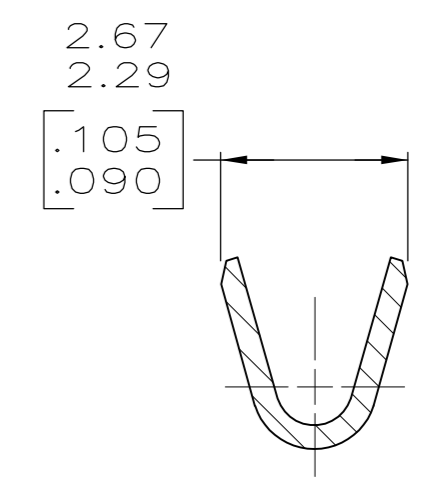
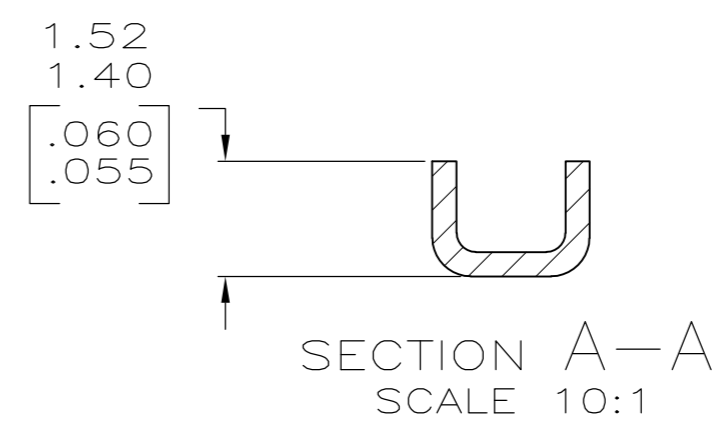


THIS DRAWING IS UNPUBLISHED. RELEASED FOR PUBLICATION
 © COPYRIGHT - By - ALL RIGHTS RESERVED.

LOC		DIST		REVISIONS			
P	LTR	DESCRIPTION		DATE	DWN	APVD	
CM	0	R2	REVISED PER ECO-11-004587		11MAR11	RK	HMR



- ① 0.00203 [.000080] MIN BRIGHT TIN-LEAD OVER
0.00127 [.000050] MIN NICKEL.
- ② 0.00330 [.000130] MAX PRE-TIN.
- ③ 0.00013 [.000005] GOLD OVER 0.00127 [.000050]
MIN NICKEL ALL OVER AND 0.00076 [.000030] MIN
GOLD ON CONTACT AREA.
- 4. WIRE RANGE: 0.2-0.9mm² (24-18 AWG).
INSULATION RANGE: 2.79 [.110] DIA MAX.
- 5. DIMENSIONS IN BRACKETS ARE IN INCHES.
- ⑥ 0.00013 [.000005] GOLD OVER 0.00127 [.000050]
MIN NICKEL ALL OVER AND 0.00038 [.000015] MIN
GOLD ON CONTACT AREA.
- ⑦ 0.00203 [.000080] MIN BRIGHT TIN OVER
0.00127 [.000050] MIN NICKEL.



---	⑦	3-350980-1
---	⑥	350980-4
SEE 770258-1	③	350980-3
---	②	350980-2
SEE 640707-1	①	350980-1
LOOSE PIECE	FINISH	PART NO

METRIC

THIS DRAWING IS A CONTROLLED DOCUMENT.		DWN K. SALMON 11-2-92	STE TE Connectivity		
DIMENSIONS: INCHES		CHK R. SWING 11-2-92			
TOLERANCES UNLESS OTHERWISE SPECIFIED:		APVD E. BEILES 11-2-92	NAME RECEPTACLE, SL-156		
0 PLC ± - 1 PLC ± - 2 PLC ± 0.13 [.005] 3 PLC ± - 4 PLC ± - ANGLES ± -		PRODUCT SPEC APPLICATION SPEC	SIZE A2	CAGE CODE 00779	DRAWING NO C-350980
MATERIAL 0.33 [.013] BRASS	FINISH SEE TABLE	WEIGHT -	RESTRICTED TO -	SCALE 5:1	SHEET 1 of 1
CUSTOMER DRAWING			REV R2		